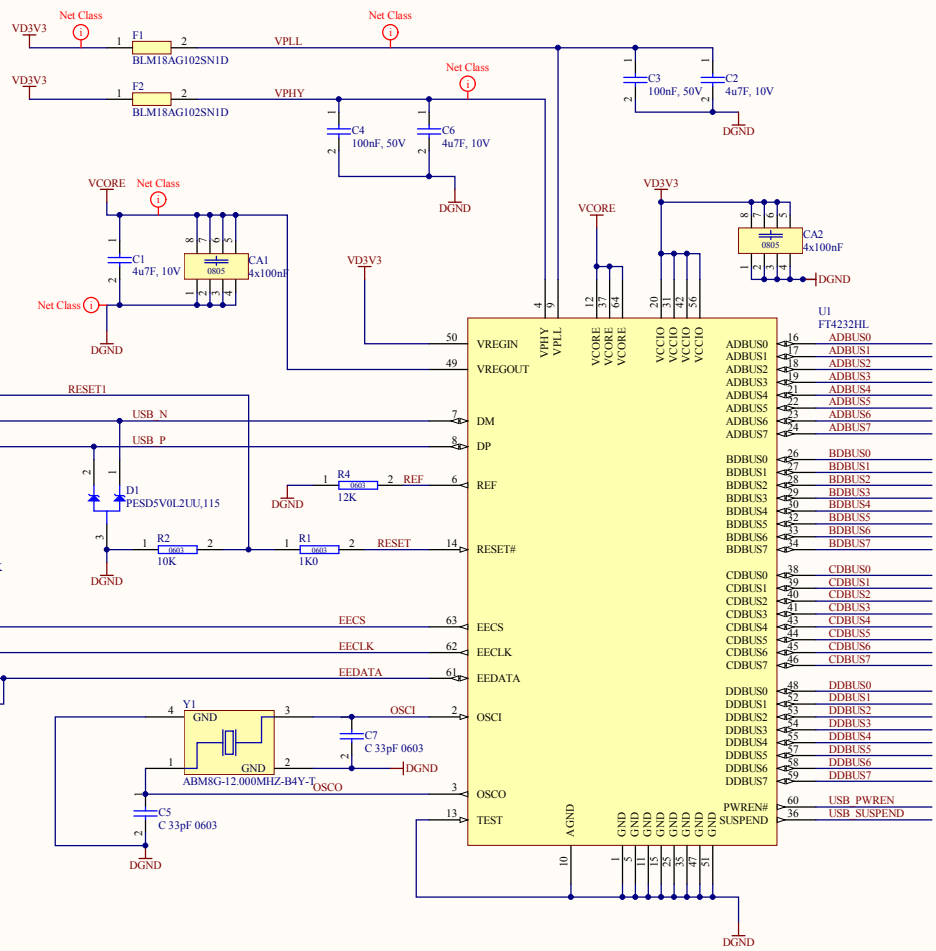
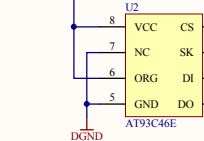
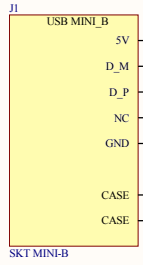


Project:	FT4232 USB MODULE ISSUE1	Size:	A3
Drawing:	I/O HEADERS	Revision:	1.0
Sheet	1 of 2	Drawn By:	0017



BOARD1  
PCB  
PCB BARE BOARD



Project: FT4232 USB MODULE ISSUE1	Size: A3
Drawing: USB I/F	Revision: 1.0
Sheet 2 of 2	Drawn By: 0017