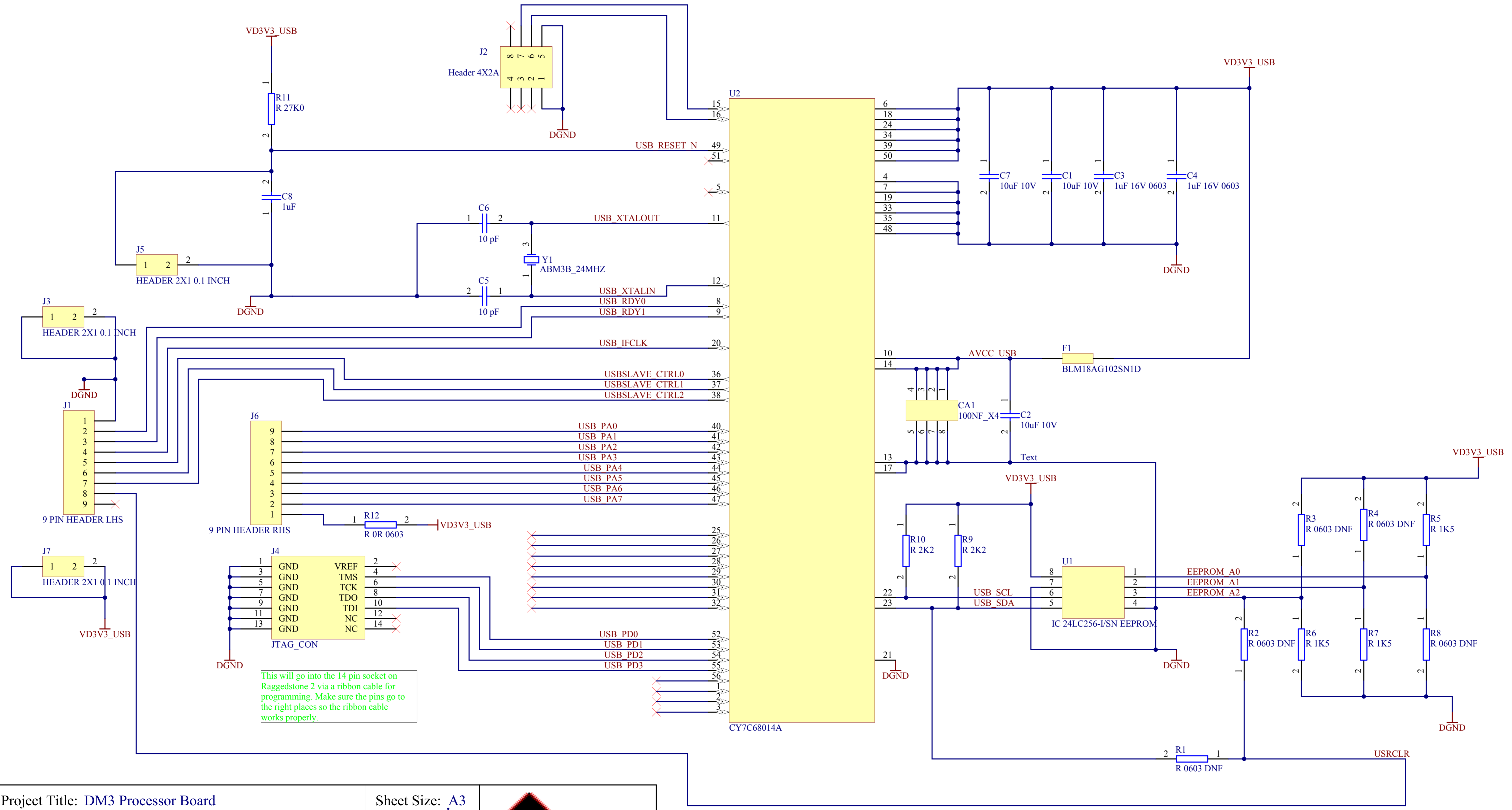
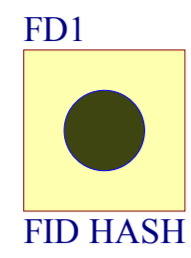


▲ DPLUS and DMINUS trace lengths should be kept to within 2 mm of each other in length, with preferred length of 20-30 mm. THIS IS OK (1MM DIFF AND 26MM LENGTH)
 ▲ Maintain a solid ground plane under the DPLUS and DMINUS traces. Do not allow the plane to be split under these traces, done as much as poss. It is preferred to have no vias placed on the DPLUS or DMINUS trace routing. DONE Isolate the DPLUS and DMINUS traces from all other signal traces by no less than 10 mm. Not possible



This will go into the 14 pin socket on Raggedstone 2 via a ribbon cable for programming. Make sure the pins go to the right places so the ribbon cable works properly.

Project Title: DM3 Processor Board		Sheet Size: A3
Sheet Title: USB_SLAVE_MODULE.SCHDOC		Revision: 1.0
Date: 04/07/2008	Sheet: 9 of 17	
(c) 2006 Enterpoint Ltd.		Engineer: 0001

