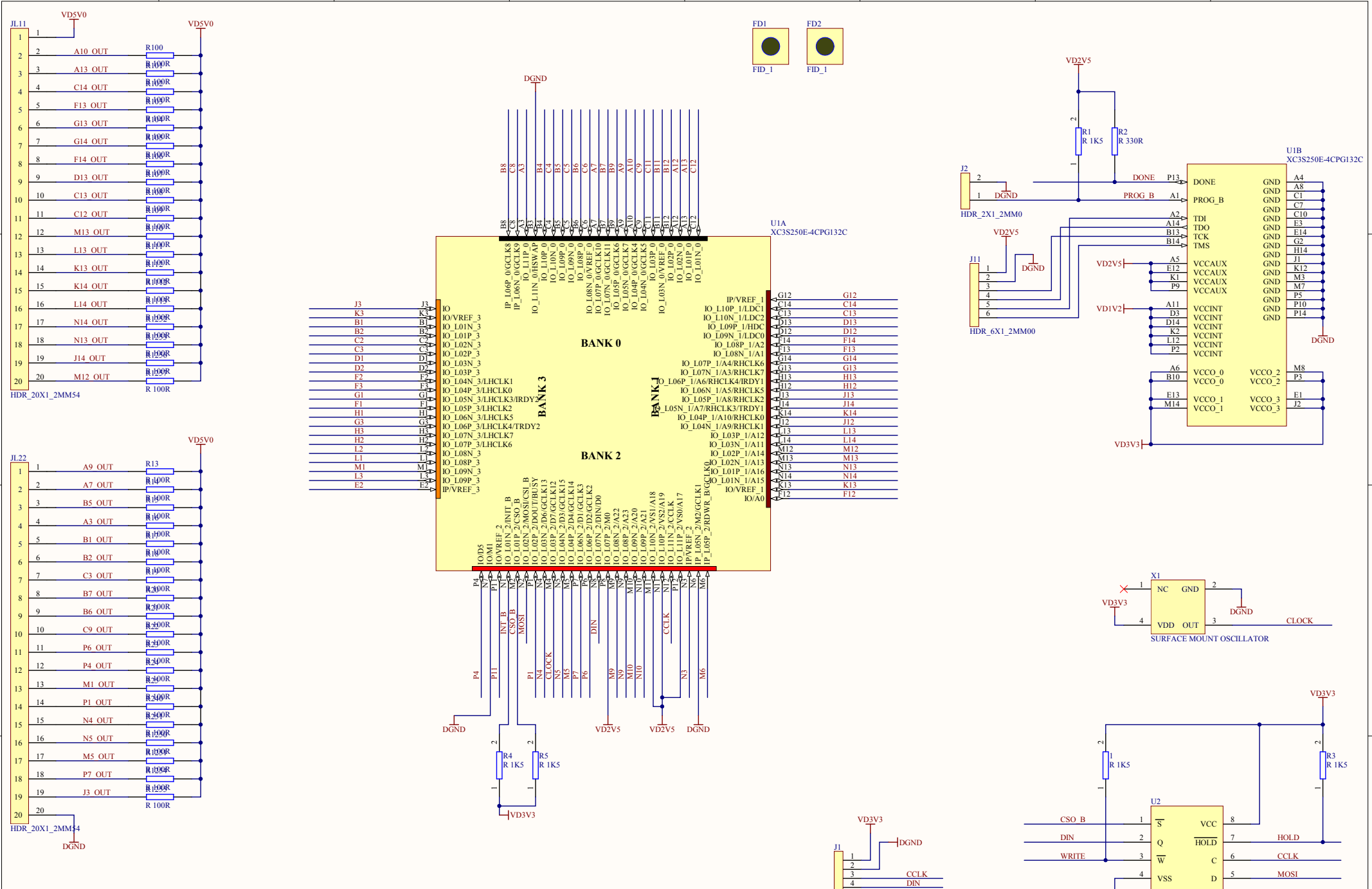
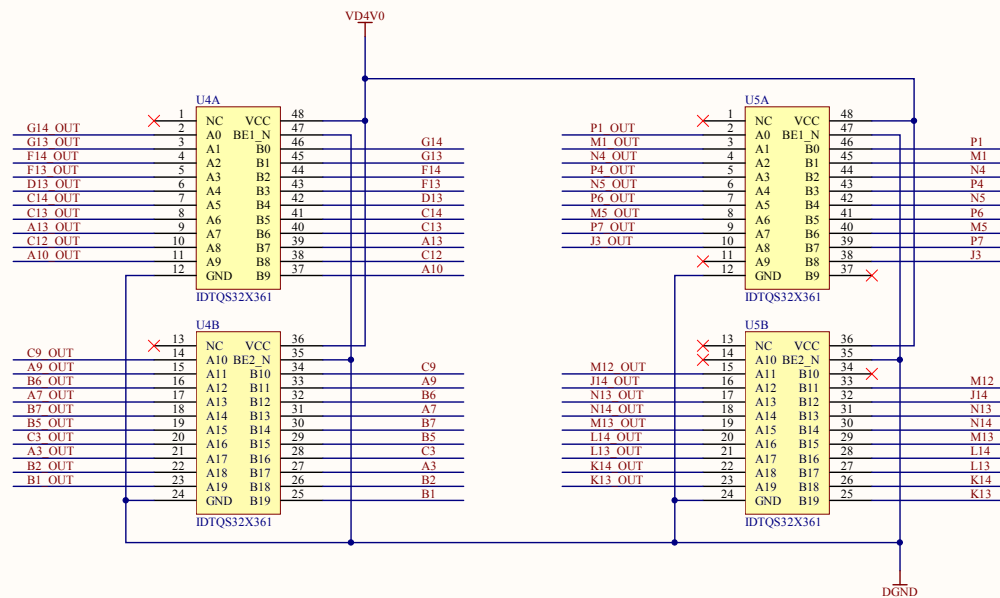
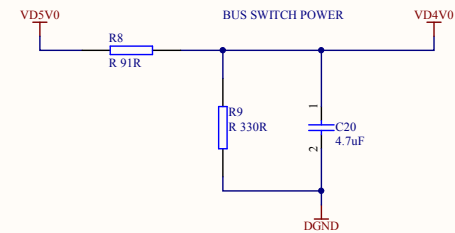
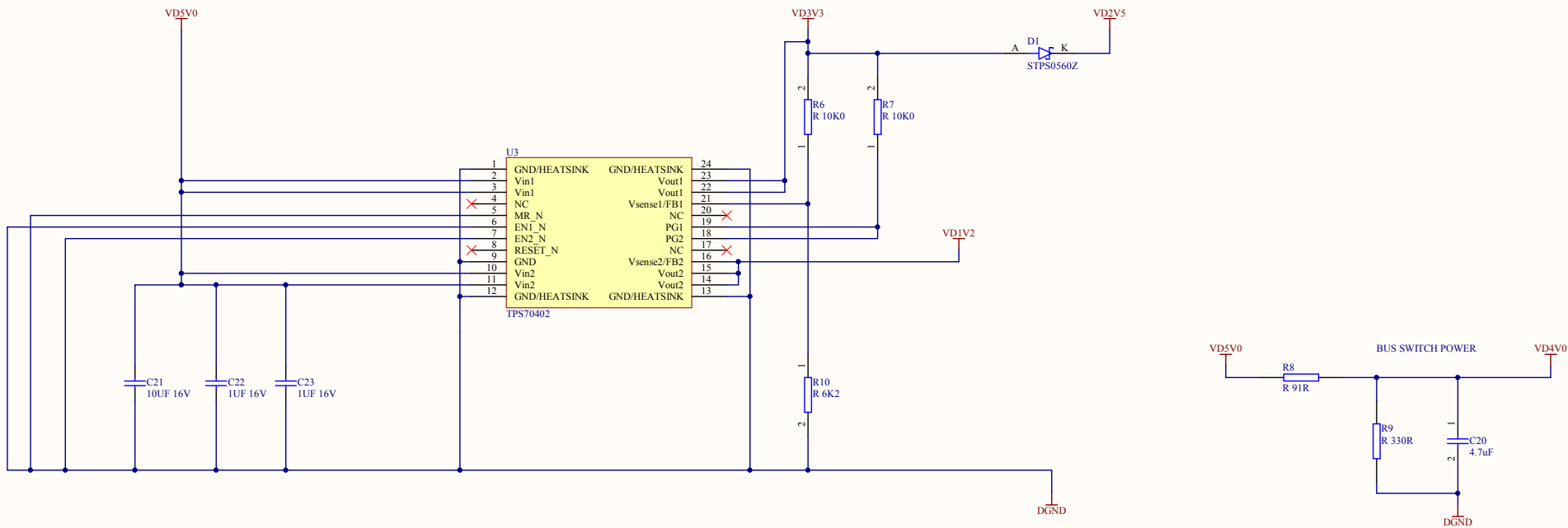
	Project: CRAIGNELL1-40	Size: A3
	Drawing: DECOUPLING	Revision: 1.0
	Sheet 1 of 3	Drawn By: 0008



	Project: CRAIGNELL1-40	Size: A3
	Drawing: FPGA I/O	Revision: 1.0
	Sheet 2 of 3	Drawn By: 0008



	Project: CRAIGNELL1-40	Size: A3
	Drawing: POWER REGULATORS	Revision: 1.0
	Sheet 3 of 3	Drawn By: 0008