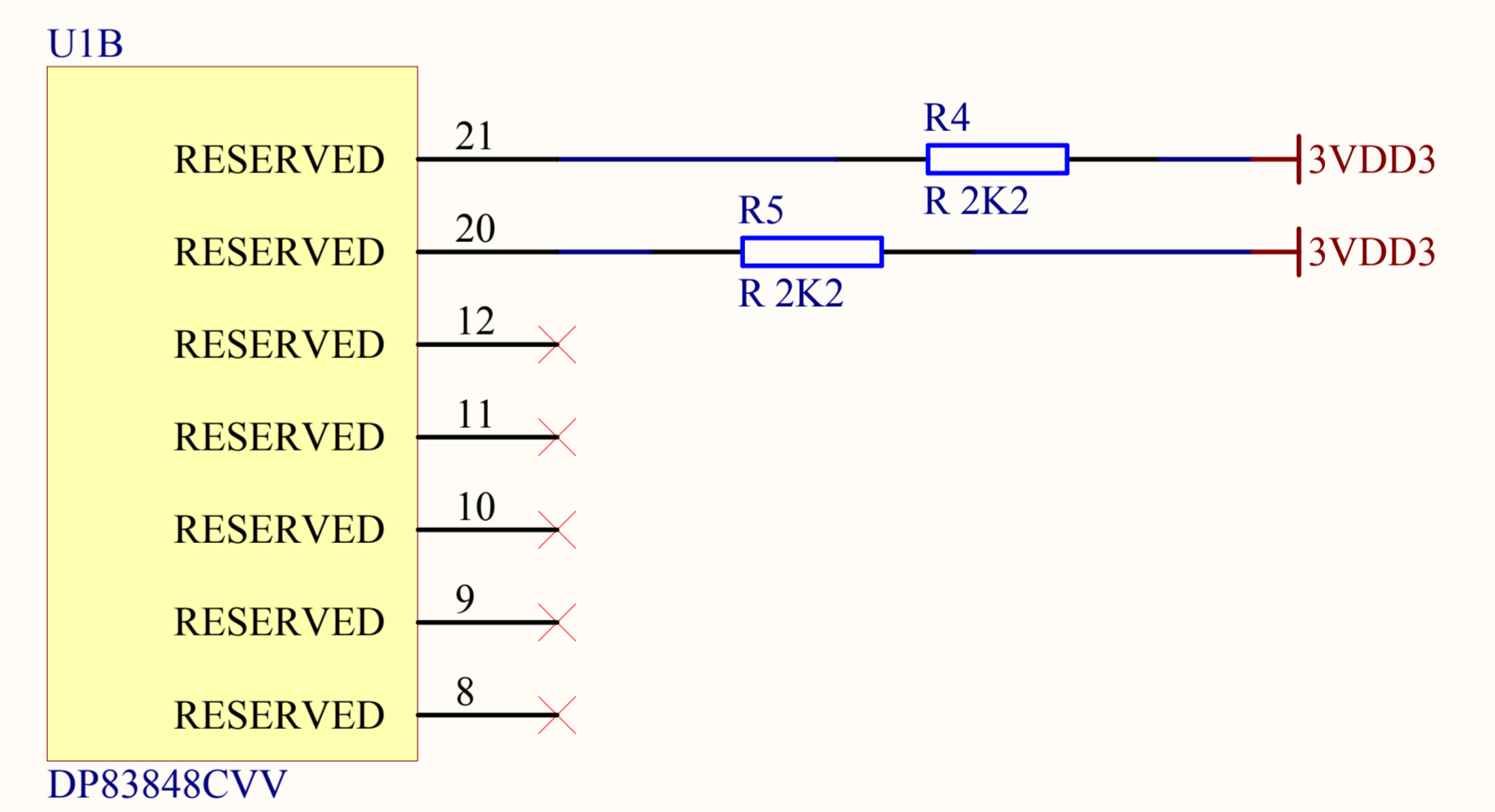
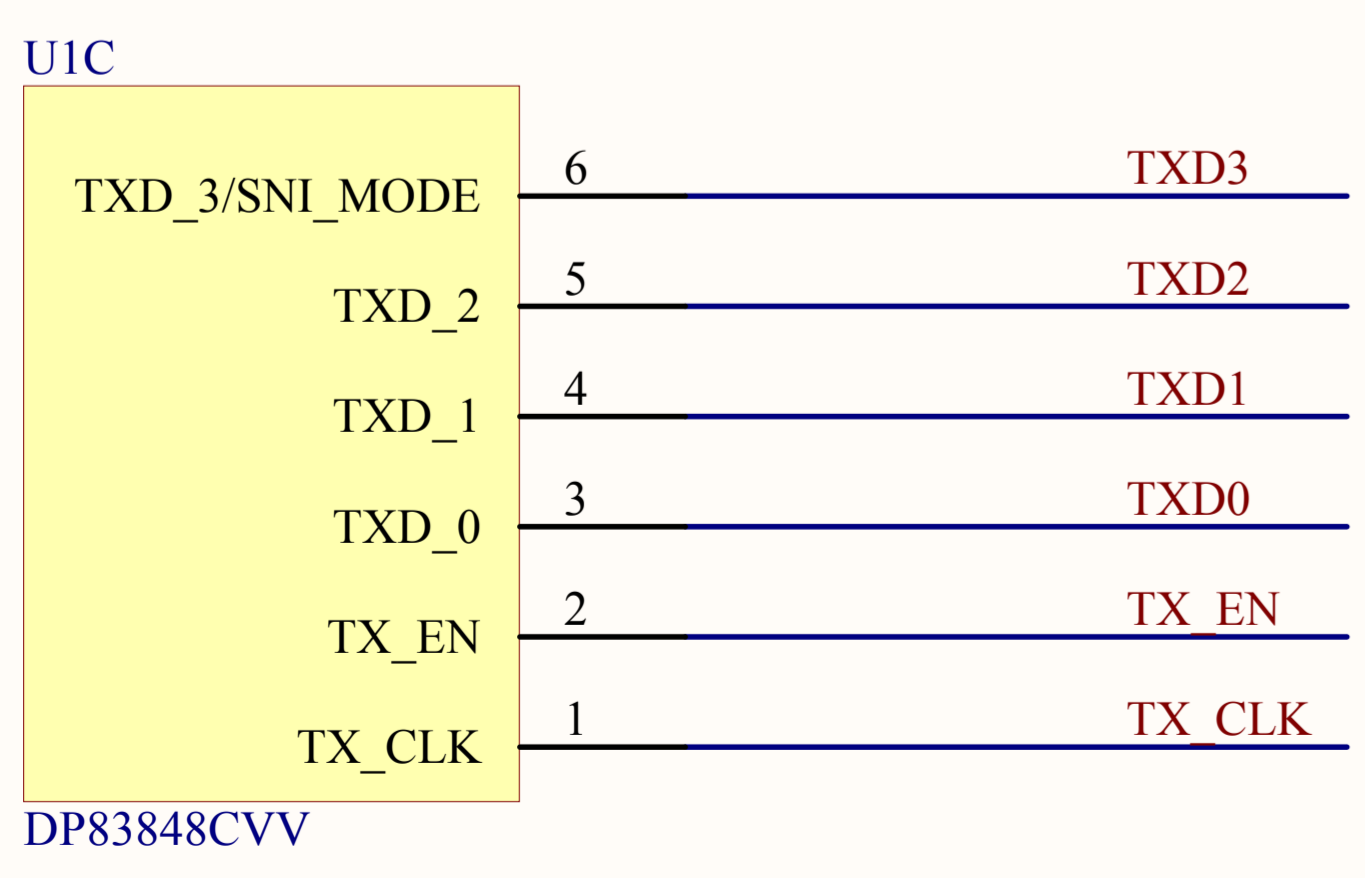
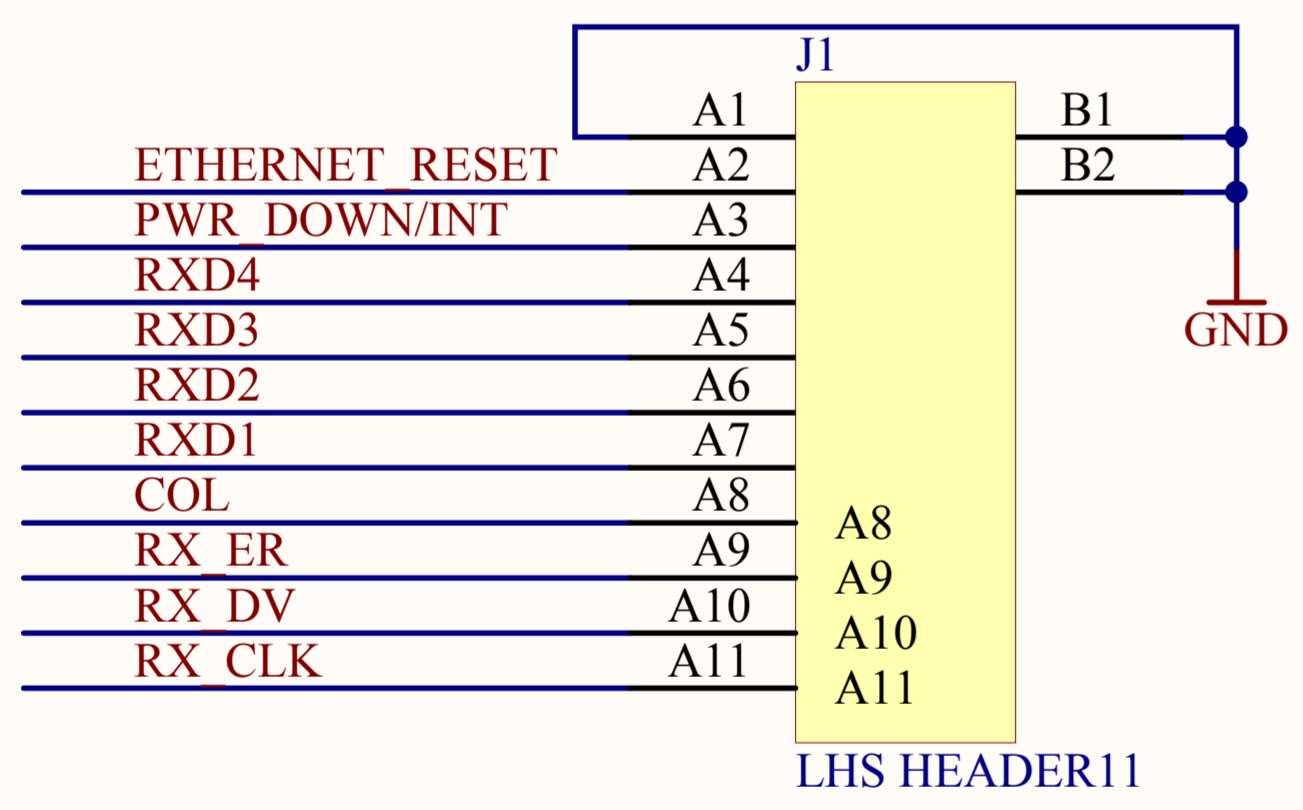
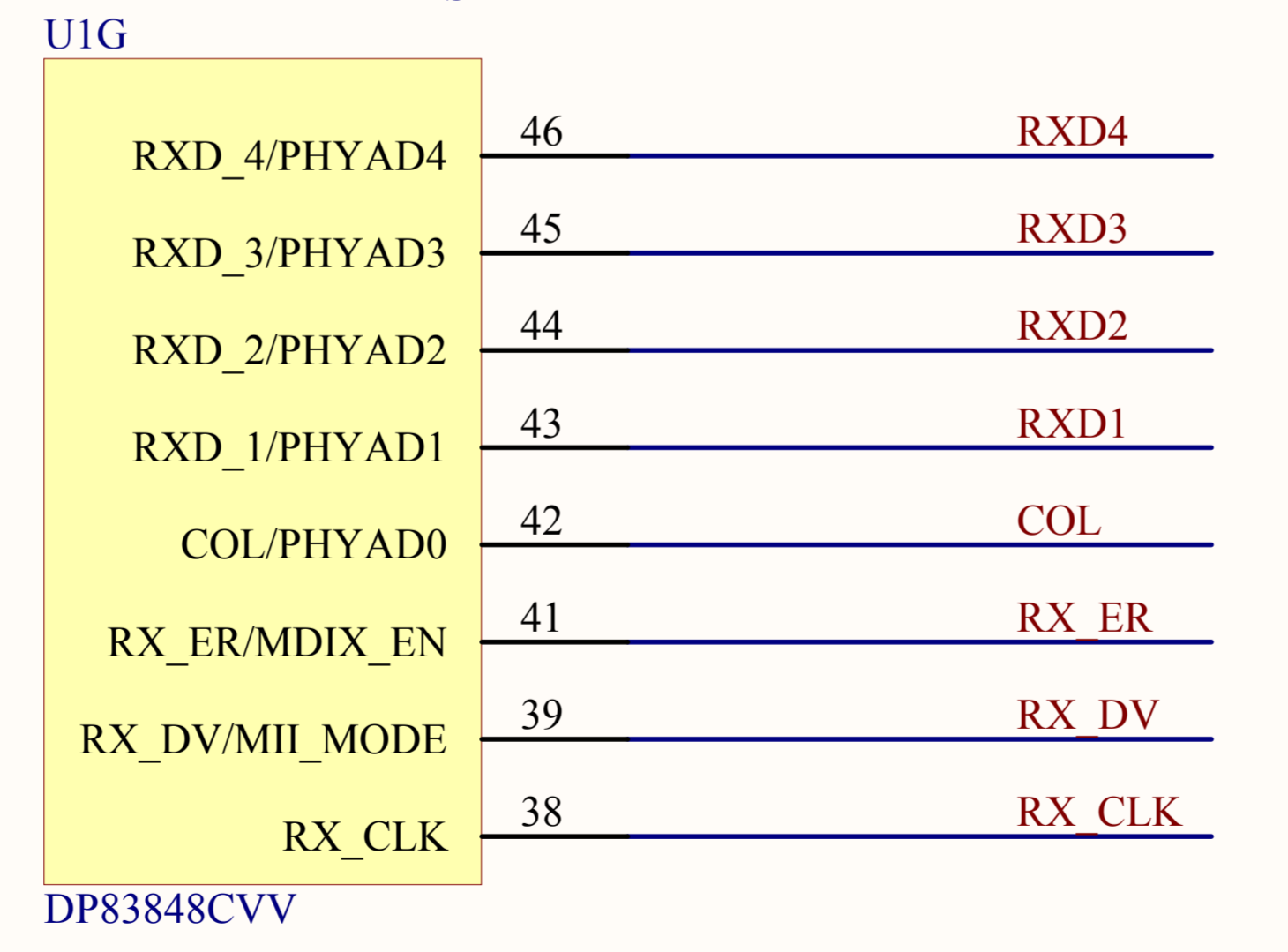
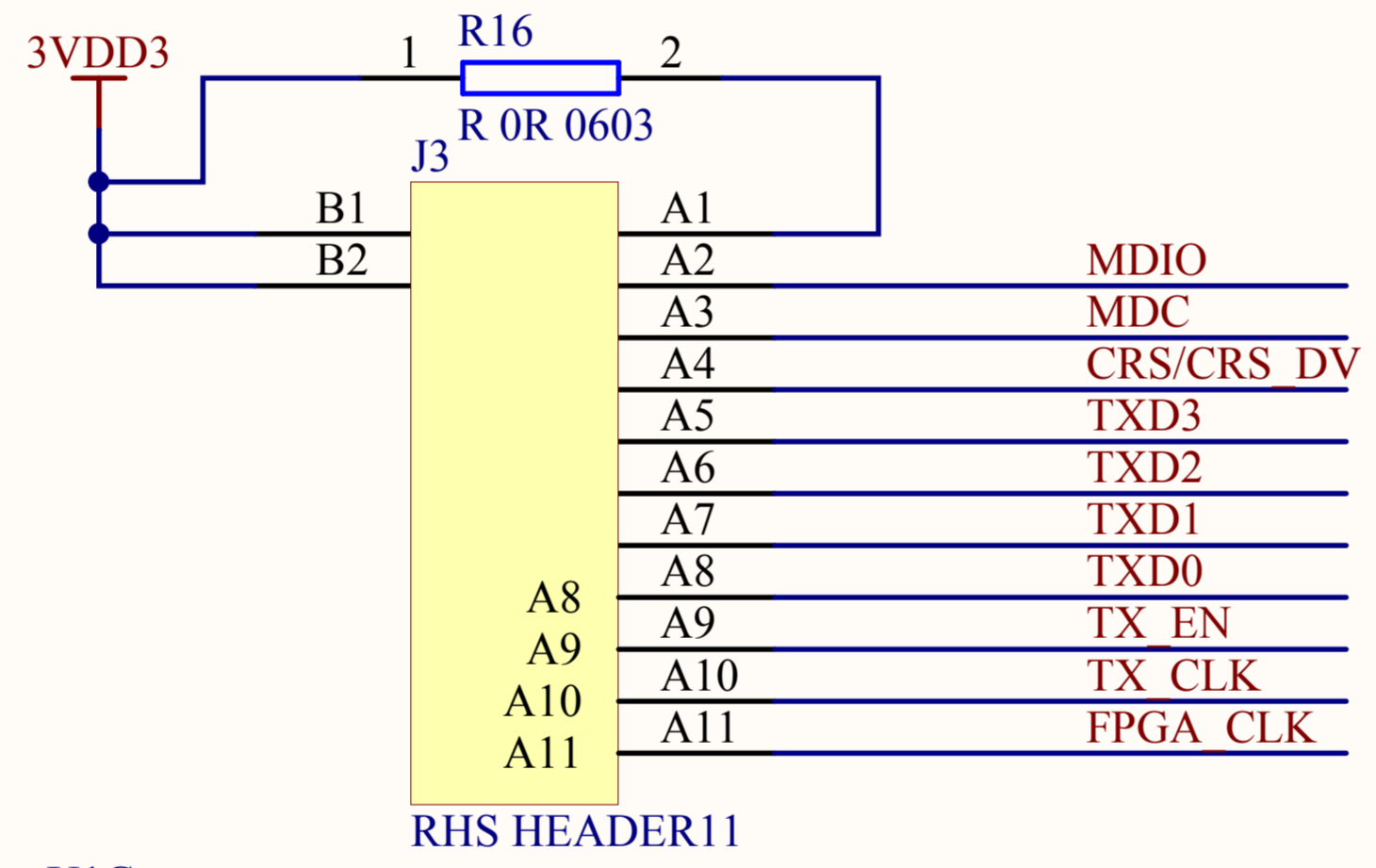
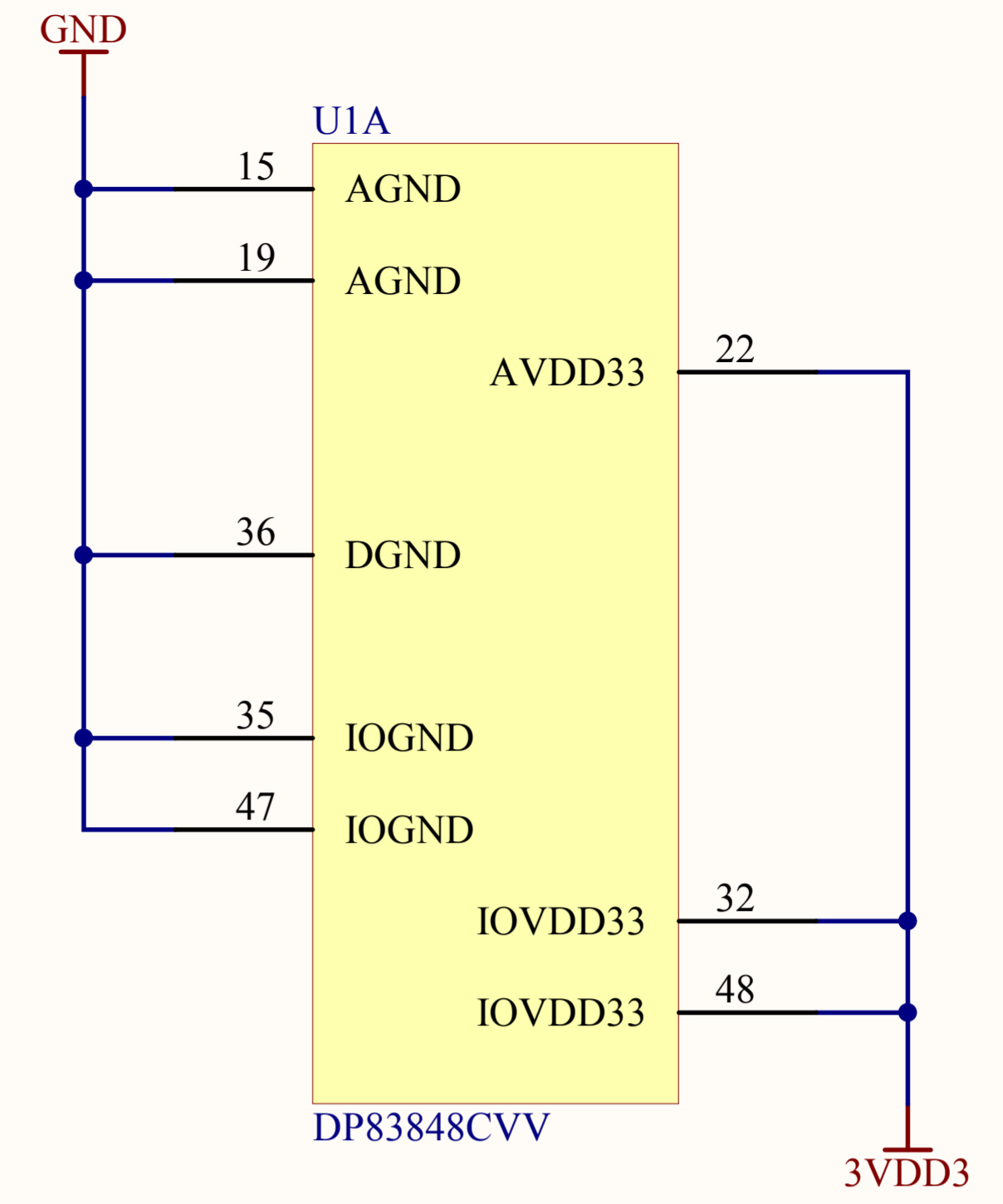


Title		
Size	Number	Revision
A4		
Date:	13/08/2008	Sheet of
File:	E:\PROJECT_ARCHIVES\ETHERNET_SWITCH\SCHEMATIC.SCHDOC	10 of 10



Title		
Size	Number	Revision
A4		
Date:	13/08/2008	Sheet of
File:	E:\PROJECT_ARCHIVES\...TO-BOARD_SCH.DOC	1 of 1

