

Project: CRAIGNELL1-28 ISSUE2	Size: A3
Drawing: FPGA	Revision: 1.0
Sheet 1 of 3	Drawn By: 0001

A

B

C

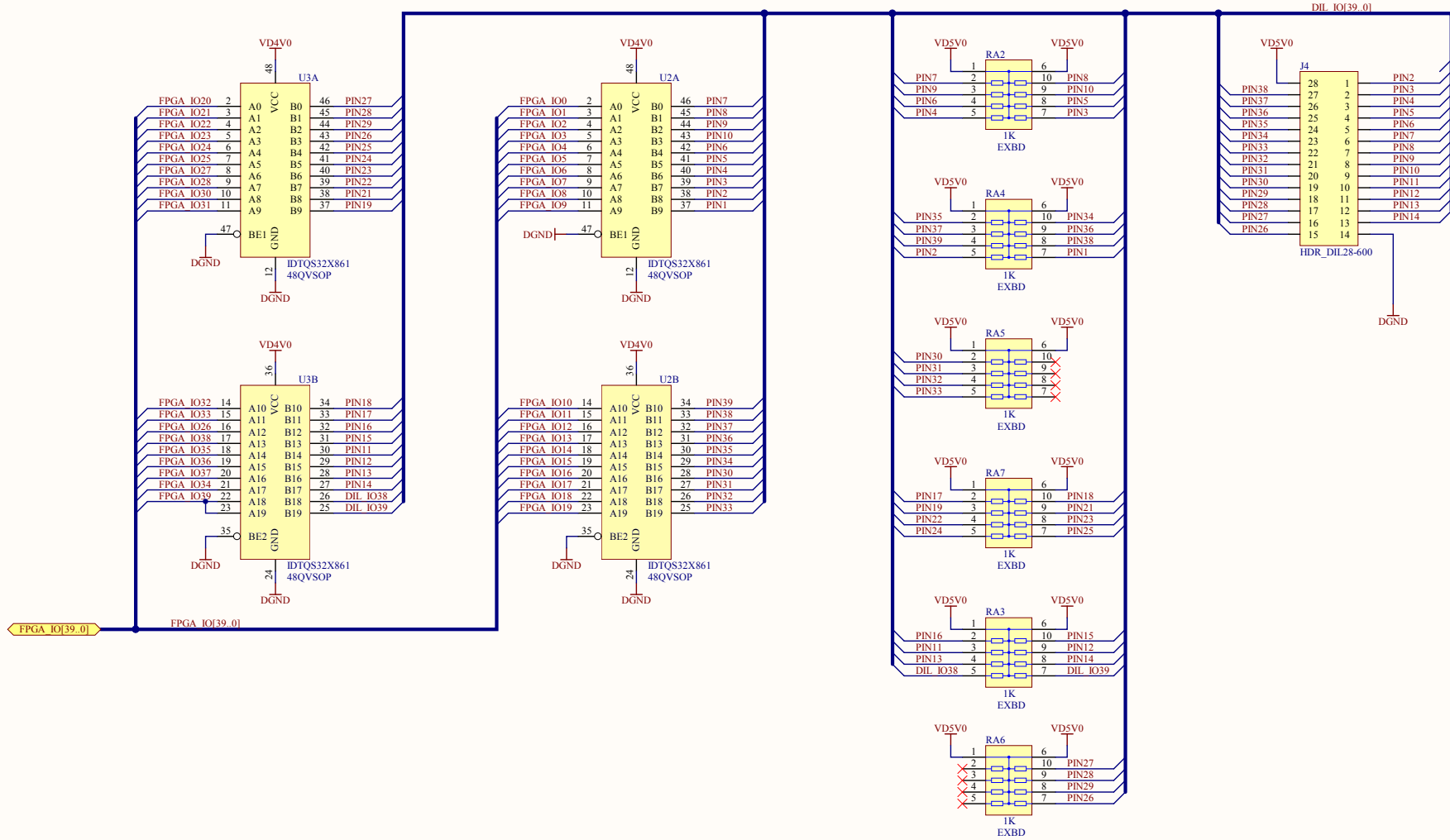
D

A

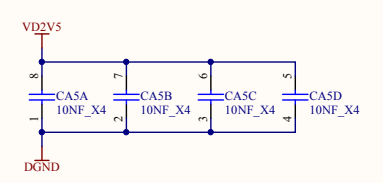
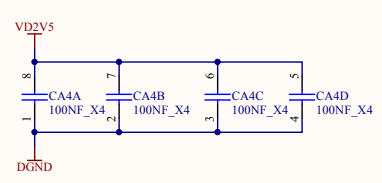
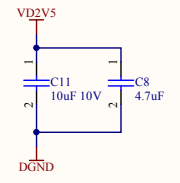
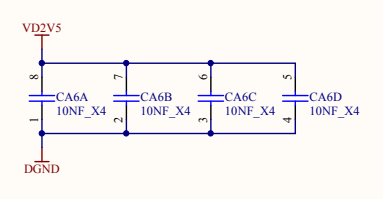
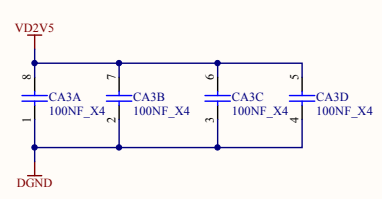
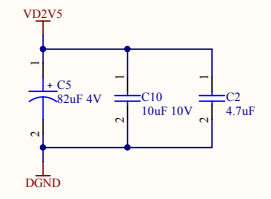
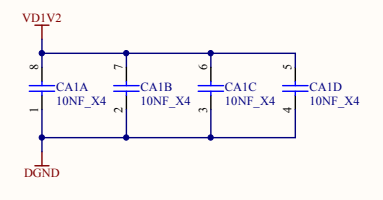
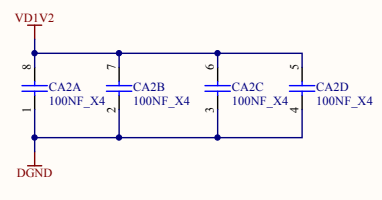
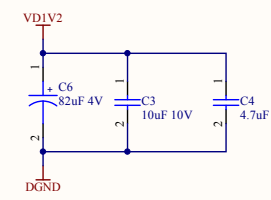
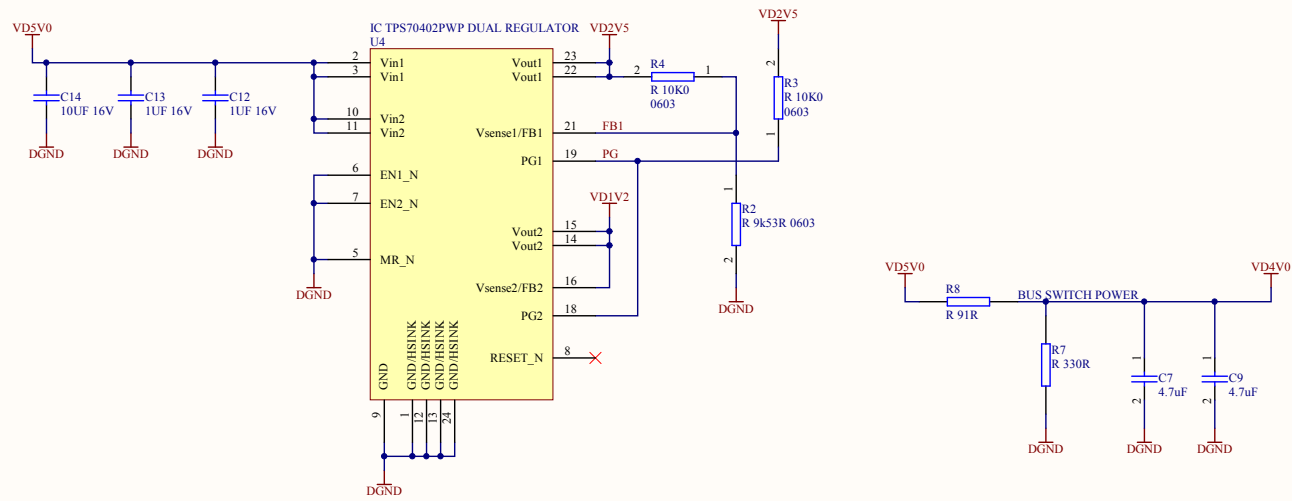
B

C

D



	Project: CRAIGNELL1-28 ISSUE2	Size: A3
	Drawing: EXTERNAL I/O	Revision: 1.0
	Sheet 2 of 3	Drawn By: 0001



	Project: CRAIGNELL1-28 ISSUE2	Size: A3
	Drawing: POWER	Revision: 1.0
	Sheet 3 of 3	Drawn By: 0001